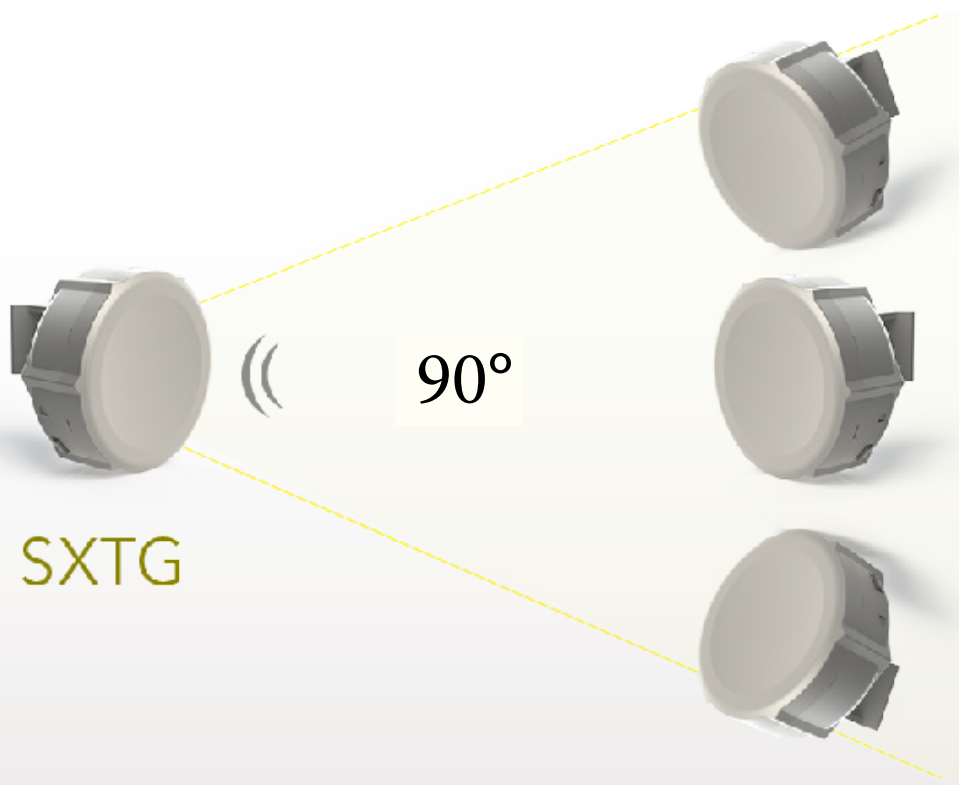


# SXTG-5HPnD-SAr2

SXTG-5HPnD-SAr2 is a low cost, high speed 5GHz outdoor wireless sector access point. It has a ninety degree antenna to provide a wider coverage than our previous SXT units.

Complete with a ready to mount enclosure and built-in 14dBi antenna, the package contains everything you need to set it up in a matter of minutes.



|                   |   |
|-------------------|---|
| Model             | SXTG-5HPnD-SAr2   |
| CPU               | AR9344 600MHz CPU   |
| Memory            | 64MB DDR SDRAM onboard memory   |
| Ethernet          | 10/100/1000 (Gigabit) Ethernet port   |
| Wireless          | Onboard dual chain 5GHz 802.11a/n .10kV ESD protection on RF port   |
| Extras            | Reset switch, beeper, USB 2.0 port, voltage and temperature monitors  |
| LEDs              | Power LED, Ethernet LED, 5 wireless signal LED  |
| Power             | Power over Ethernet: 8-30V DC. Packaged with 24V DC 0.8A PSU and passive PoE injector   |
| Dimensions        | 140x140x56mm. Weight without packaging, adapters and cables: 265g   |
| Power consumption | Up to 7W  |
| Operating Temp    | -30C .. +80C  |
| License           | Level4 license (CPE, PiP or AP as sector)   |
| Package contains  | SXT wireless device with integrated antenna, pole mounting bracket, mounting ring, PoE injector, power adapter, quick setup guide |
| Certifications    | FCC, CE, ROHS   |

|                 | For two chains                                   |
|-----------------|--|
| TX/RX at MCS0   | 30dBm / -95dBm                                   |
| TX/RX at MCS7   | 26dBm / -73dBm                                   |
| TX/RX at 6Mbit  | 30dBm / -96dBm                                   |
| TX/RX at 54Mbit | 27dBm / -80dBm                                   |
| Antenna         | 90 deg, -35dB port to port isolation, 14dBi gain |