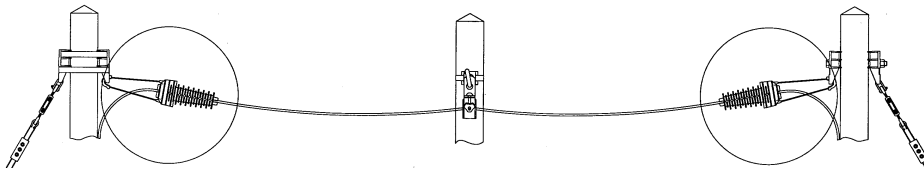


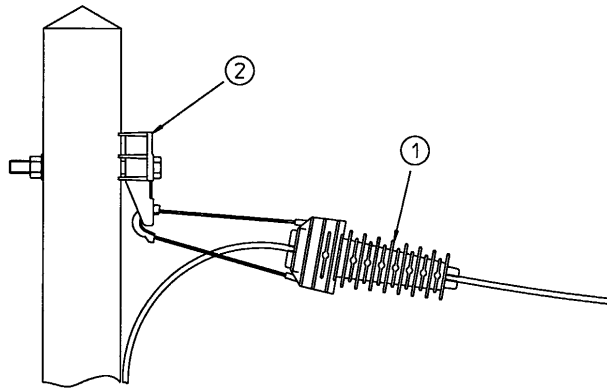
A 3-1 page 1



ADSS cables



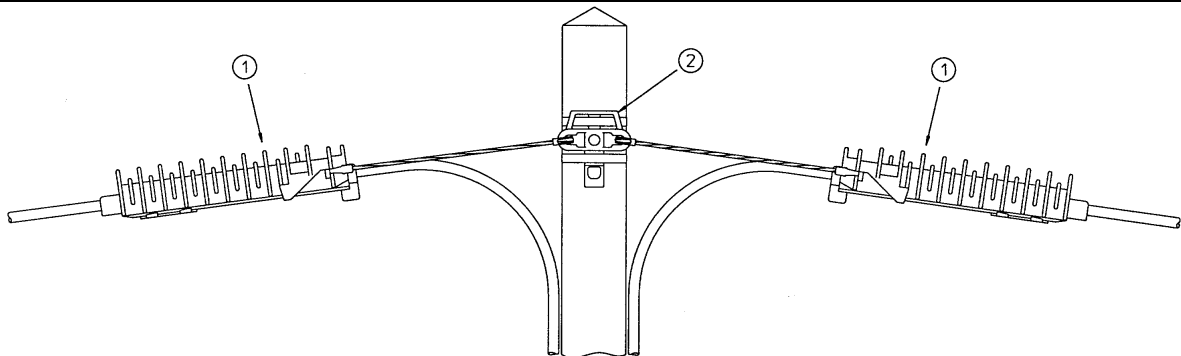
**Cable termination : dead-ending**



Consisting of : 1 anchoring clamp ACADSS (1) + 1 universal pole bracket UPB (2)

Securing : 1 bolt Ø 14 or 16 mm (drilled poles) or 2 pole bandings 20 mm SB204 or SB207 with 2 clips A20 or 2 buckles B20

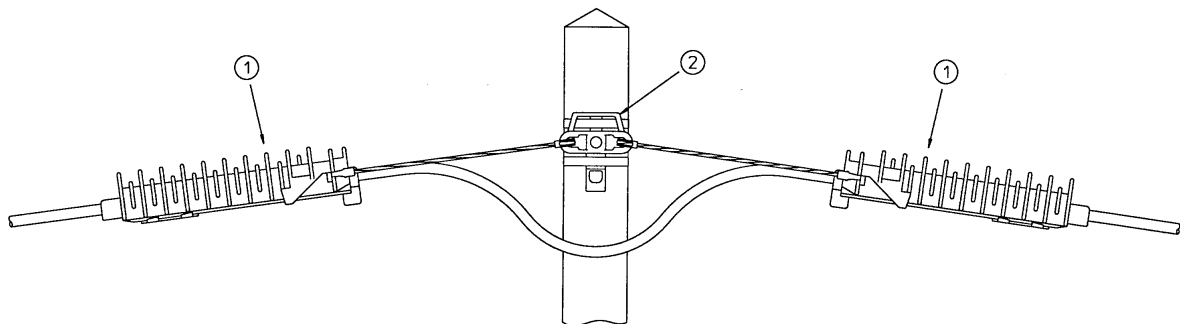
**Pole jointing and every 5<sup>th</sup> pole on straight routes : double dead-ending**



Consisting of : 2 anchoring clamps ACADSS (1) + 1 universal pole bracket UPB (2)

Securing : 1 bolt Ø 14 or 16 mm (drilled poles) or 2 pole bandings 20 mm SB204 or SB207 with 2 clips A20 or 2 buckles B20

**Intermediate poles with cable route angle : Double anchoring**



Consisting of : 2 anchoring clamps ACADSS (1) + 1 universal pole bracket UPB (2)

Securing : 1 bolt Ø 14 or 16 mm (drilled poles) or 2 pole bandings 20 mm SB204 or SB207 with 2 clips A20 or 2 buckles B20